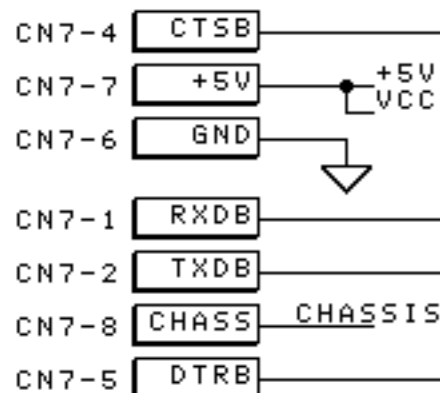
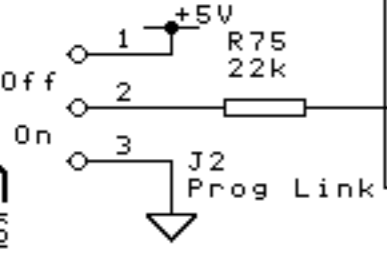
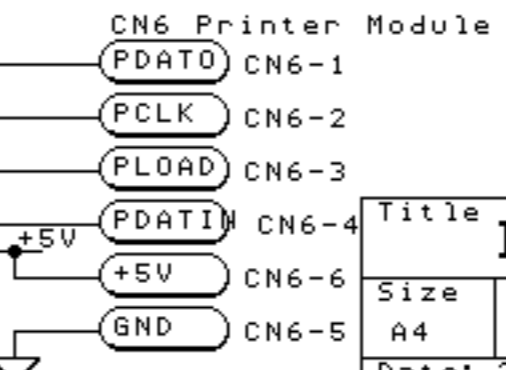
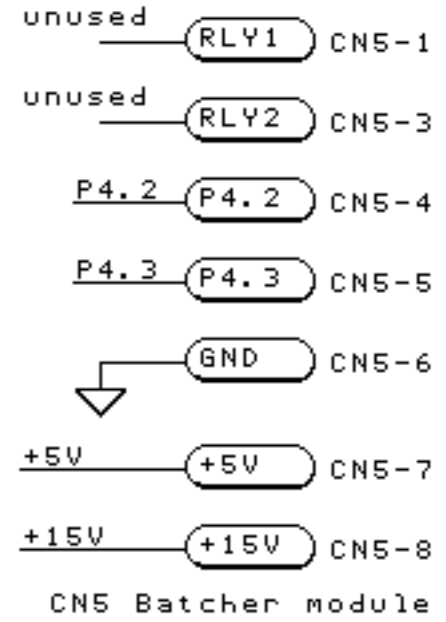
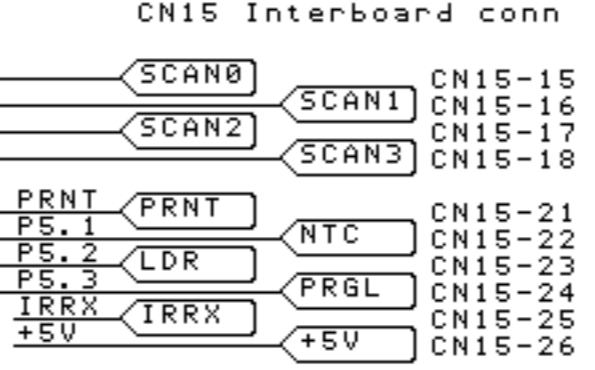
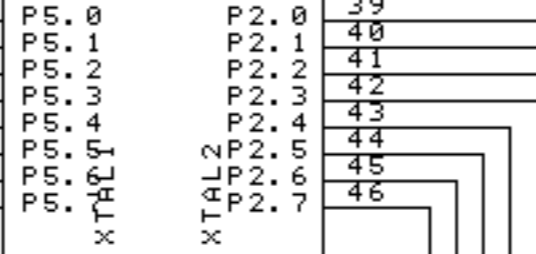
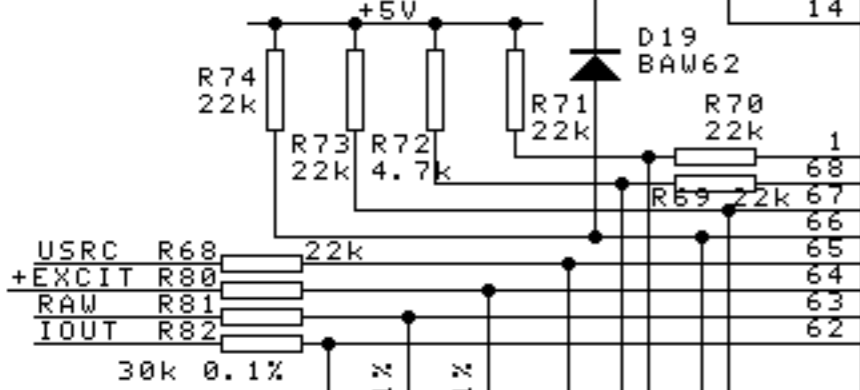
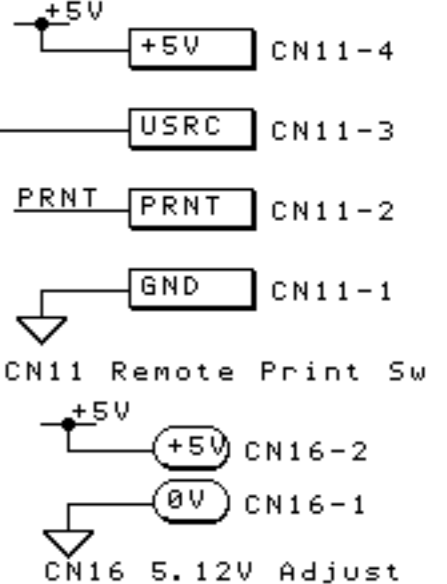
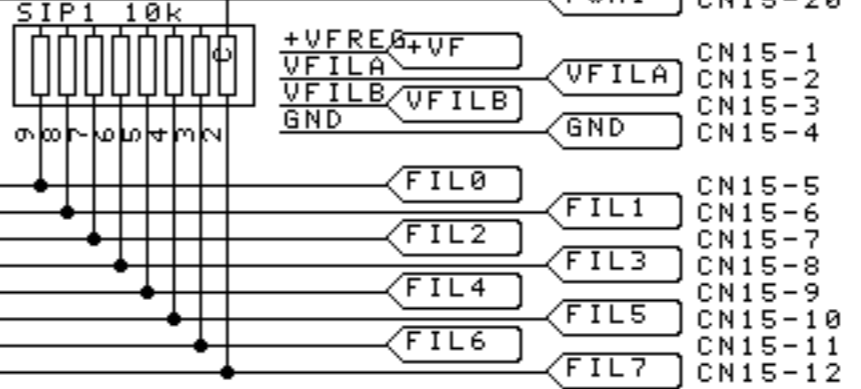
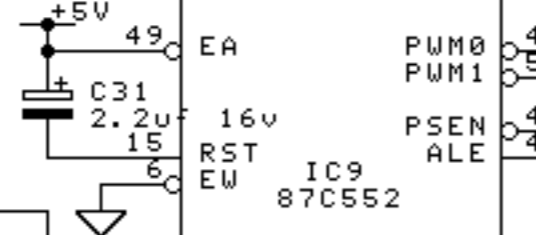
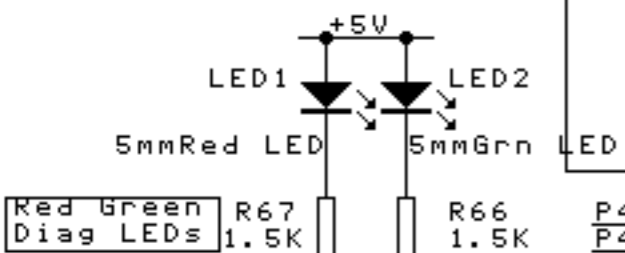
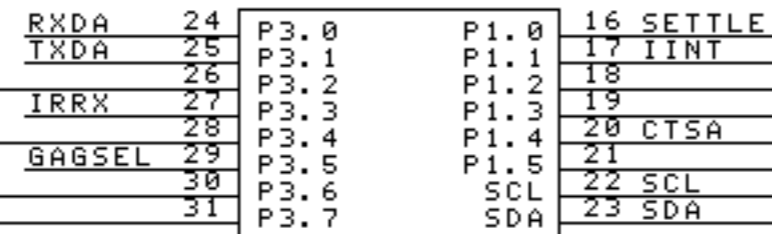
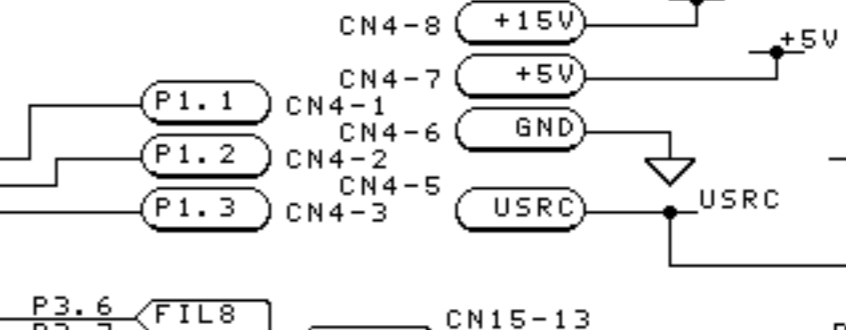


CN7 ANCILLARY COMS



CN4 Feature module



Title RCM710 Headworks		
Size A4	Number AB9301005	Revision Rev 1.0d
Date: 23-AUG 1996		Sheet 4 of 4
File: RCM1_1/4		Drawn By: sm